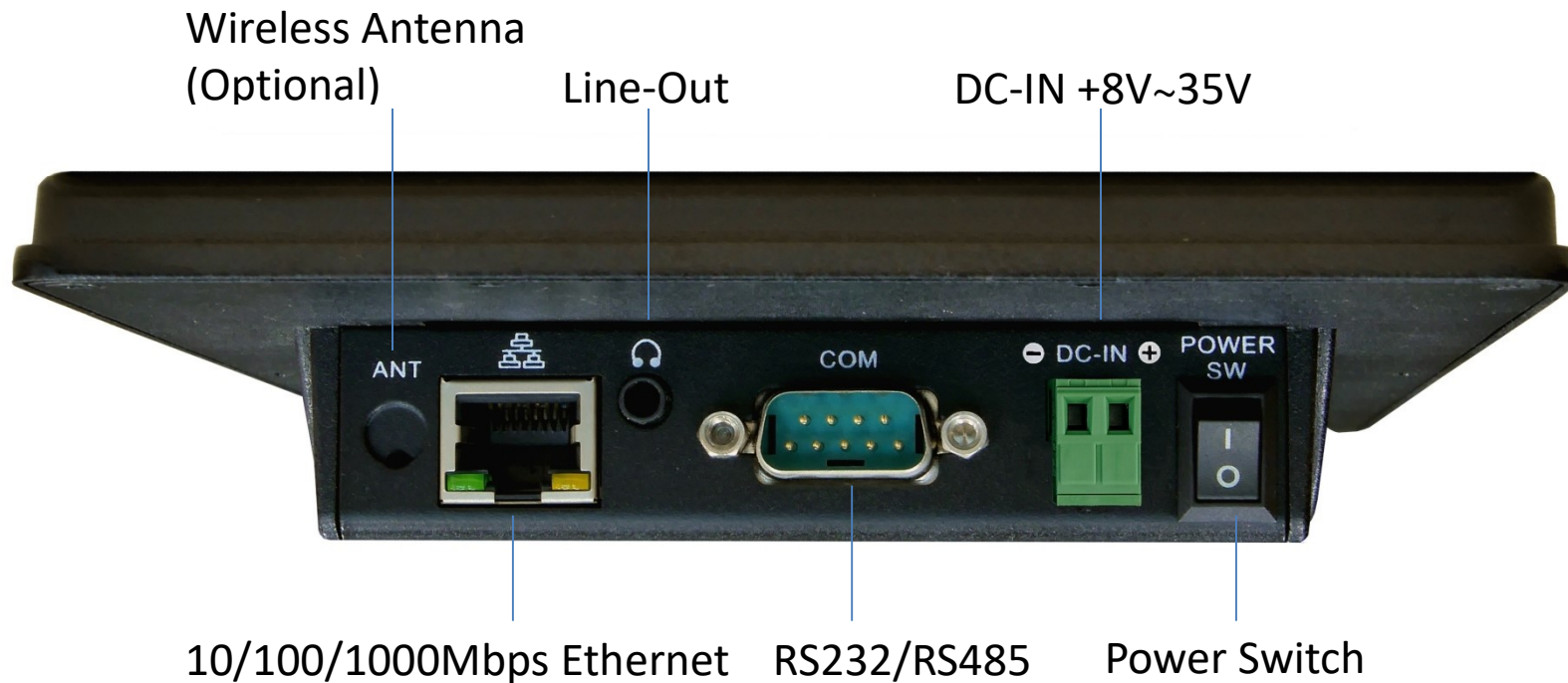
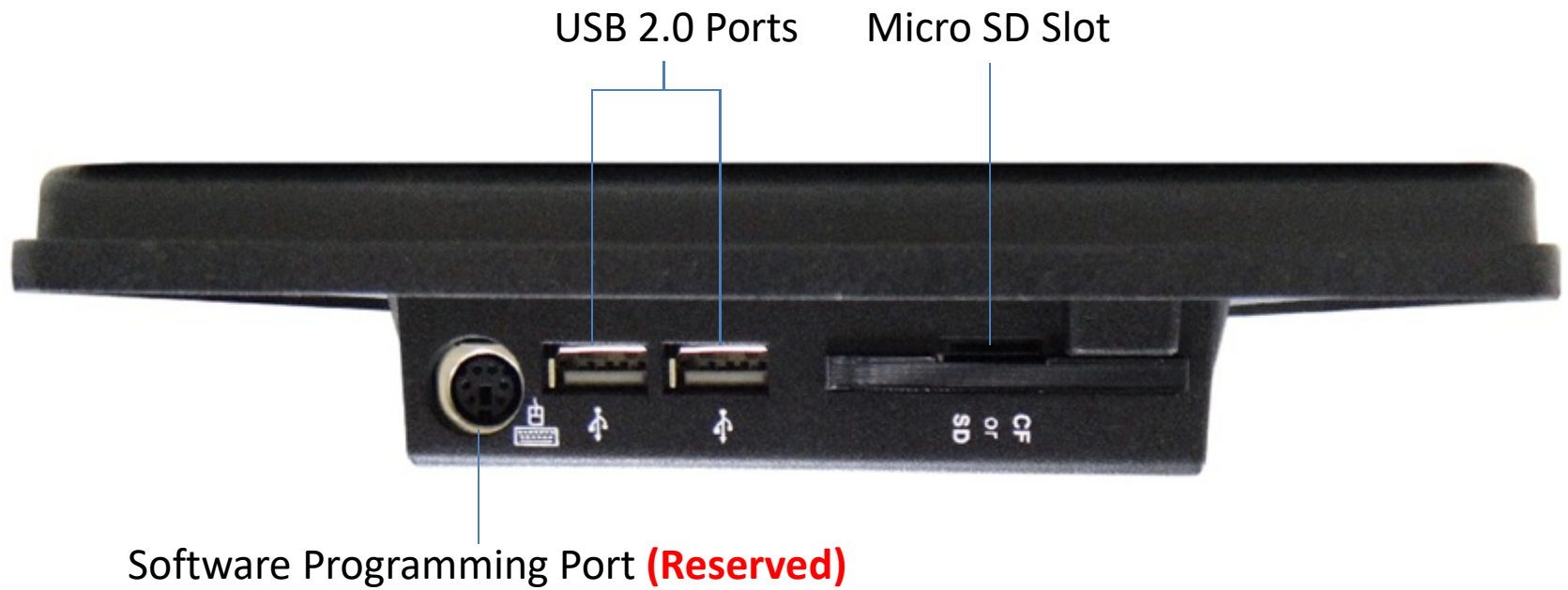


PN8M-090T-5A I/O Review



PN8M-090T-8A I/O Review



PN8M-090T I/O Review