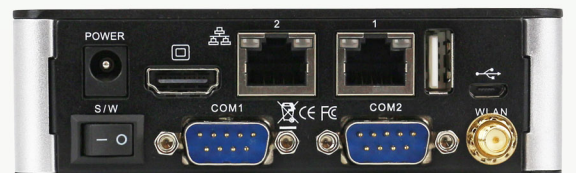
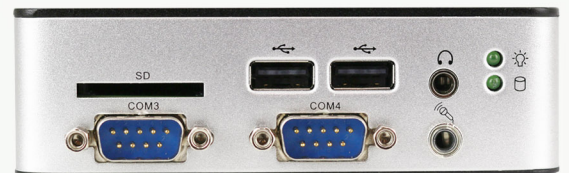
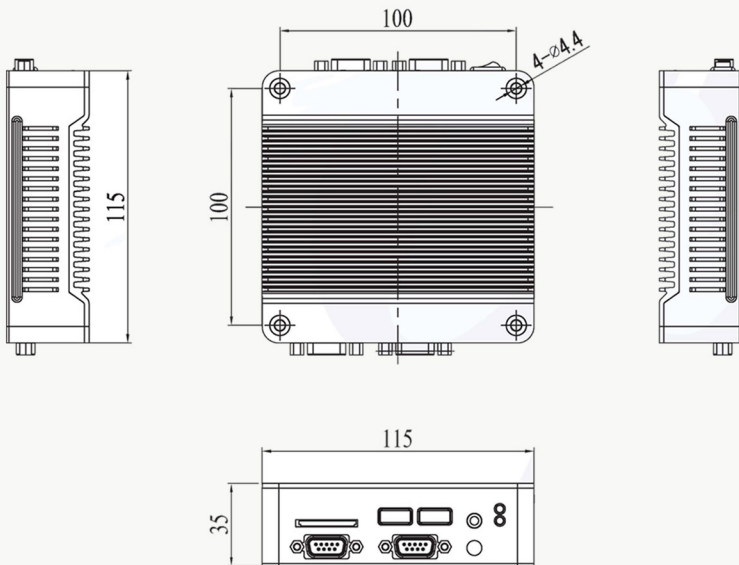
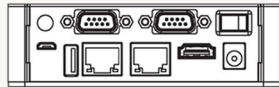


EBOX-IMX8MM Series

NXP i.MX8M Mini Quad-core 1.6 GHz ARM Cortex-A53 processors Fanless PC
support memory 1GB up to 4GB LPDDR4,
storage 8GB up to 64GB eMMC onboard,
COM ports up to 4, Dual Giga LAN, WiFi/BT onboard.



Features

Fanless, 100x100mm VESA, DIN Rail
Wide Temperature -40~+80°C
Auto Power On

EBOX-IMX8MM Series

System Specifications

Processor NXP i.MX8M Mini Quad-core 1.6 GHz ARM Cortex-A53 processor

Memory 1GB to 4GB LPDDR4 onboard

Storage eMMC 8GB to 64GB MLC/SLC onboard
SD Card SD Card Slot x1 (Internal slot optional)

Display HDMI 1.3 (MAX.1920 × 1080 pixels)

USB USB 2.0 x3 (Front x2 + Rear x1)

Micro USB Micro USB x1 (Software update use only)

HD Audio Mic-in & Line-out (WM8960)

Ethernet RJ45 x2 (Intel I210 GbE x1/CPU GbE x1)

WiFi/BT WiFi 802.11b/g/n + BT4.1 Combo 2.4G (Broadcom 43438)

COM D-Sub 9-pin x4 ports RS-232/RS-485

Power Requirement DC +12V~+36V input

Dimension 115 x 115 x 35 mm

Mounting VESA 100 x 100 mm/DIN Rail Support (Optional)

Net Weight 700g

Operating Temp 0 ~ 60°C/-40~+80°C (Optional)

Certifications CE, FCC, VCCI

OS support Android 9, Yocto, Mainline Linux Kernel Support

Model Type	CPU	DRAM	eMMC	MLC/SLC	LAN	D-Sub 9-pin I/O	WiFi/BT	Temperature
EB	8MM NXP i.MX8M Mini	1: 1GB	08: 8GB	M: MLC	L1: LAN x1	C2: RS-232 x2	B: Included	N: 0~60°C
		2: 2GB	16: 16GB	S: SLC	L2: LAN x2	C4: RS-232 x4	N: Excluded	W: -40~+80°C
		3: 3GB	32: 32GB	(eMMC)		F2: RS-232/485 x2		
		4: 4GB	64: 64GB			F4: RS-485 x4		