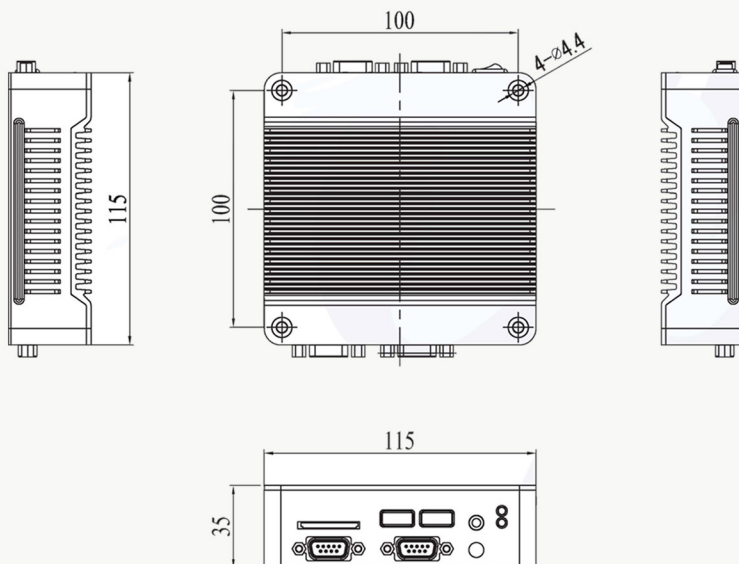
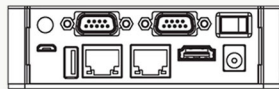


# EBOX-IMX8MM Series

NXP i.MX8M Mini Quad-core 1.6 GHz ARM Cortex-A53 processors Fanless PC support memory 1GB up to 4GB LPDDR4, storage 4GB up to 64GB eMMC onboard, COM ports up to 4, Dual Giga LAN, WiFi/BT onboard.



## Features

Fanless, 100x100mm VESA, DIN Rail  
Wide Temperature -40~+85°C  
Auto Power On

# EBOX-IMX8MM Series

## System Specifications

Processor NXP i.MX8M Mini Quad-core 1.6 GHz ARM Cortex-A53 processor

Memory 1GB to 4GB LPDDR4 onboard

Storage eMMC 4GB to 64GB MLC/SLC onboard  
SD Card SD Card Slot x1 (Internal slot optional)

Display HDMI 1.3 (MAX.1920 × 1080 pixels)

USB USB 2.0 x3 (Front x2 + Rear x1)

Micro USB Micro USB x1 (Software update use only)

HD Audio Mic-in & Line-out (WM8960)

Ethernet RJ45 x2 (Intel I210 GbE x1/CPU GbE x1)

WiFi/BT WiFi 802.11b/g/n + BT4.1 Combo 2.4G (Broadcom 43438)

COM D-Sub 9-pin x4 ports RS-232/RS-485

Power Requirement DC +12V~+36V input

Dimension 115 x 115 x 35 mm

Mounting VESA 100 x 100 mm/DIN Rail Support (Optional)

Net Weight 700g

Operating Temp 0 ~ 60°C/-40~+85°C (Optional)

Certifications CE, FCC, VCCI

OS support Android 9, Yocto, Mainline Linux Kernel Support

Model Type	CPU	DRAM	eMMC	MLC/SLC	LAN	D-Sub 9-pin I/O	WiFi/BT	Temperature
EB	NXP i.MX8M Mini	1: 1GB	04: 4GB	M: MLC	L1: LAN x1	C2: RS-232 x2	B: Included	N: 0~60°C
		2: 2GB	08: 8GB	S: SLC	L2: LAN x2	C4: RS-232 x4	N: Excluded	W: -40~+85°C
		3: 3GB	16: 16GB	(eMMC)		F2: RS-232/485 x2		
		4: 4GB	32: 32GB			F4: RS-485 x4		
			64: 64GB					